

## Magictrol Sequencing Air Switches

The Magictrol Air Switch is used to sequentially switch up to four separate pieces of equipment. Each time an air pulse is applied, a stepping cam is rotated through three or four positions, actuating a combination of two or three microswitches.

### Presair air switches deliver critical benefits:

**SAFE:** Presair air switches deliver complete electrical isolation with zero voltage at the actuator to shock the user or spark an explosion.

**ECONOMICAL:** Presair air switching system costs are comparable or lower than conventional controls meeting the needs of original equipment manufacturers.

**ACCURATE:** All switches are 100% tested with a 100,000+ cycle life.

### General Specification:

**RATING:** 2HP @ 240VAC, 1HP @ 120VAC  
21 AMPS to 250 VAC  
Other ratings available up to 25 Amps.  
Gold contacts available.

**APPROVAL:** UL Recognized, CUL Recognized. File #E80254

**MATERIAL:** Acetal Body/Acetal Mechanism  
Silicone Rubber Diaphragm  
Other material available, give us a call for more information.

**OPERATING TEMPERATURE:** -22°F to 150°F

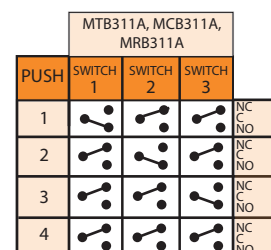
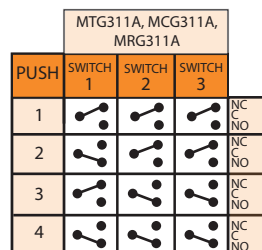
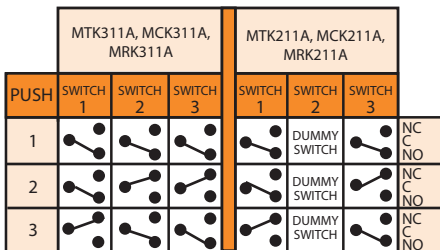
**AIR TUBING DISTANCE:** The Magictrol Four Function switches can generally be used up to 15 feet away from Hand Actuator or Foot Pedal. For distances up to 100 feet away from actuator use the Magictrol with Solenoid option. Solenoid options has the same electrical specifications and sequences as air actuated Magictrol. Solenoid coil is 120 VAC, 80 watts. Solenoid may be actuated by any momentary switch.

**SWITCHING CAM OPTIONS:** Other sequences available, please contact us with your application specifications.

3 Function Switch - Black Cam

4 Function Switch - Green Cam

4 Function Switch - Blue Cam



MTB311A - Magictrol 4 Function Switch  
2.5" x 2" x 1.5"



MSA325A - Magictrol Switch with Solenoid  
3.75" x 1.5" x 1.5"

PRESAIR SWITCHES ARE DESIGNED & MANUFACTURED IN ALTOONA, WI, U.S.A.

## Magictrol® Three or Four Function Air Switches

Select from each column to configure your part number:

MOUNTING OPTIONS	CAM SEQUENCE	CONTACT FIGURATION	ELECTRICAL RATINGS	SPECIAL
<b>C</b> Center Spout (Fig. A)	<b>B</b> Blue	<b>2</b> DPDT 3 Function	<b>11</b> 21 Amp, 1 hp @ 125 VAC STANDARD	<b>A</b> Standard
<b>R</b> Radial Mount, Side Air Spout				
<b>T</b> Threaded Mount Center Air Spout (Fig. B)	<b>G</b> Green	<b>3</b> 3PDT 4 Function	<b>25</b> 25 Amp @ 240 VAC	
<b>S</b> Solenoid for actuation up to 100ft from air bellow. (Fig. C)	<b>K</b> Black			

M **C** — **B** — **3** — **11** — **A** → **MCB311A**

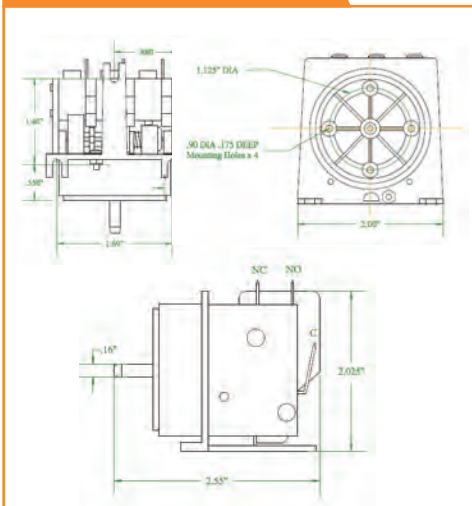
\*Many custom options available, give us a call for more information.

The chart illustrates a common sequence. Many other variations are possible using Presair's three function switches for many types of equipment.

	2 SPEED PUMP	PUSH 1	PUSH 2	PUSH 3
Low Speed	OFF	ON	OFF	
High Speed	OFF	OFF	ON	

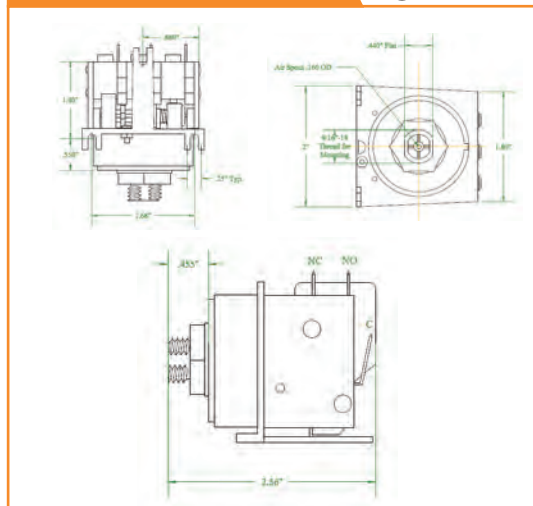
Model No. MCG311A

Fig. A



Model No. MTG311A

Fig. B



Model No. MSA325B

Fig. C

